



 **EQUIPTEC**

Manufacturers of Giraffe, Monkey and Squirrel Adjustable Height Platforms

Equiptec Giraffe

Own the high ground



It goes without saying, but if you are comfortable and confident you can produce your very best

That's what the G20 does for your people...providing a spacious, strong, easily accessed and firm deck, at the position and height that best suits them to work their maintenance magic safely and in absolute confidence.

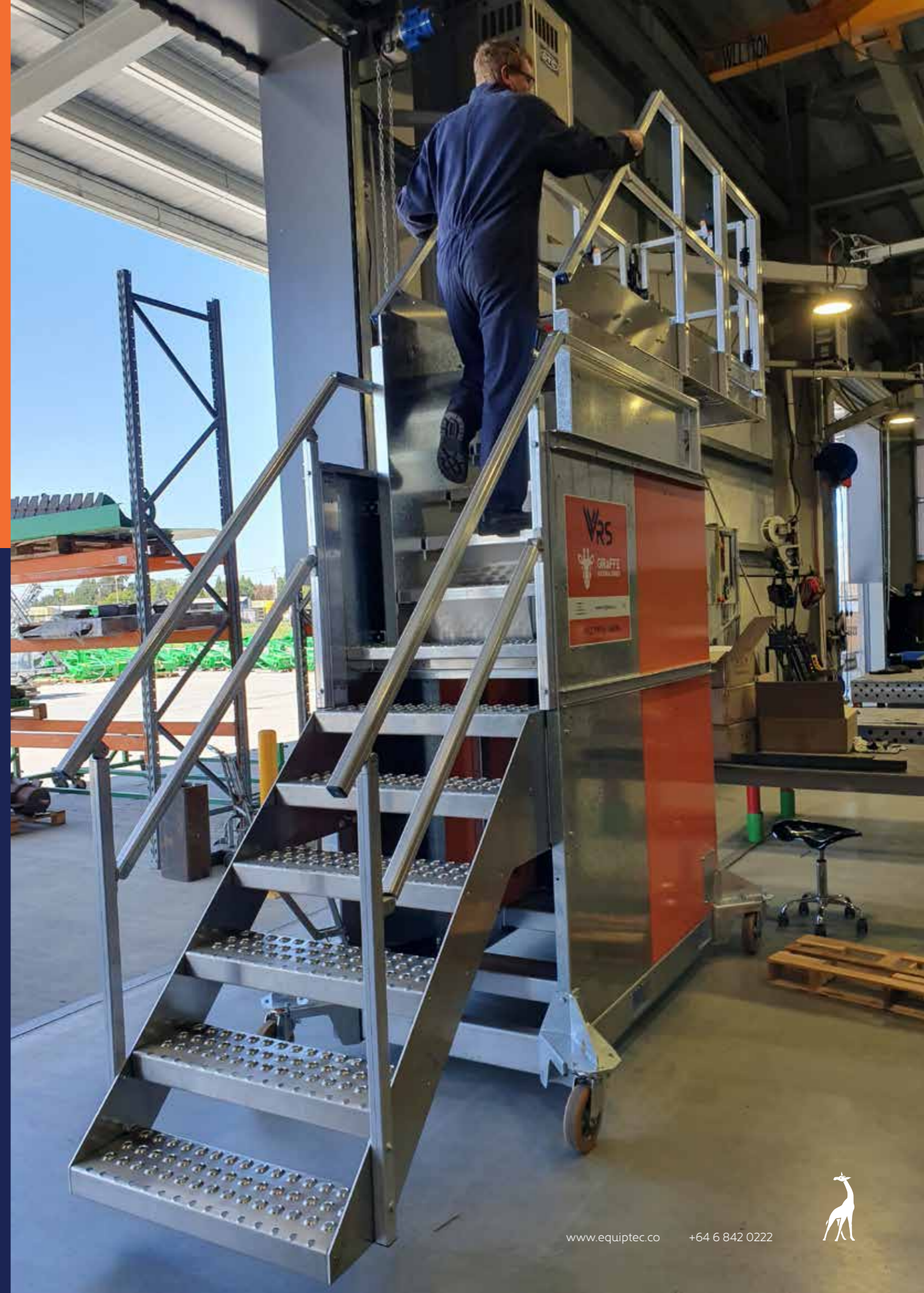
Your plant maintenance can be done faster - sometime lots faster - and your gear can be back in action quicker saving big dollars. Everyone wins with the G20.

- Handpump adjustment over 1350mm in height while deck cantilever remains the same allowing constant access to multiple different height jobs
- Wide easy climb stairs do not change angle throughout adjustment range
- No vertical climbing
- Extra long free cantilever deck includes 3 exit gates
- Huge range of options can be retrofitted

**Built for
safety,
comfort
and
fast turn
arounds
-
Built for
YOU!**

The Giraffe G20 units have been tested and confirmed to meet or exceed the strength, stability and all other applicable requirements for the following standards:

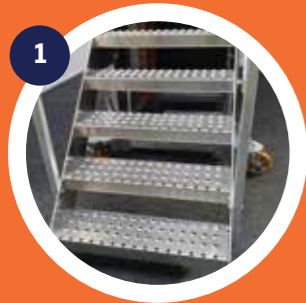
- AS/NZS 1576.1:2019 (Australia and New Zealand)
- ANSI-ASC A14.7-2011 (USA)
- CSA Z11-12 (Canada)



Nine great benefits

Replace multiple fixed height platforms with one versatile high quality multiuse unit. The result is a truly versatile workstation.

The Giraffe can nose its way into many different situations, giving comfortable, constant grade stair access. The wide, flat deck makes previously awkward, dangerous and time consuming jobs easy, safe, and very efficient.



1 Efficient to climb with constant grade stair at any platform height



2 Anti sway platform locks. Physical lock at every step height



3 3 Gate gives access to work surface off the end or either side



4 Safe and steady height adjustment with hydraulic safety valve + decent speed control



5 Minimal floor footprint that remains the same for all platform heights



6 Easy to load and transport with forklift pockets in chassis



7 Reach over obstacles with generous 1.74m platform



8 Climb or descend spacious, easy gradient stairs effortlessly



9 Prevent falls down the stair with the firm safety bar



G20 Height Range

One base model reaching up to 4.7m

	Deck Height Range	Overall Width	Overall Length	Platform Width	Platform Length
 <p>G20</p>	1.5m to 2.9m 63in to 116in	1456mm 57.5in	4495mm 177in	780mm 30.5in	1786mm 70.5in
 <p>G20 + 1 Step</p>	1.8m to 3.1m 71in to 124in	1456mm 57.5in	4750mm 187in	780mm 30.5in	1786mm 70.5in
 <p>G20 + 2 Step</p>	2.0m to 3.3m 80in to 133in	1456mm 57.5in	4945mm 194.5in	780mm 30.5in	1786mm 70.5in
 <p>G20 + 4 Step</p>	2.4m to 3.8m 97in to 150in	1900mm 75in	5395mm 212.5in	780mm 30.5in	1786mm 70.5in
 <p>G20 + 8 Step</p>	3.7m to 4.7m 133in to 186in	2500mm 98.5in	7270mm 286in	780mm 30.5in	1786mm 70.5in

Optional Accessories

The Giraffe G20 system includes many retrofittable accessories allowing you to configure a more exact solution for your access challenges. And when your needs change...so can your G20!



HAMMERHEAD DECK

If you need to have 2 workers working side by side...the Hammerhead is your answer. With a capacity of 200kg WLL this deck not only gives more room, but also offers both side gates and individually removable front facing gates. That's great unobstructed access to the workface on one or both sides.



SLIDE OUT DECK

The Slide Out Deck allows you to reach out up to 2.9m over an obstacle, even with a 150kg loading. It still features 3 exit gates as does the standard deck and rolls out effortlessly at any height. Once you are finished with it, simply slide it back in out of the way.



ANGLED DECK

When you are faced with tight space the G20 Angled Deck will save you precious room. With the ability to park your G20 parallel to your work project and "walk the plank" straight out at 90 degrees from the main deck...this option is awesome! With a 150kg capacity it includes an end gate and the same pack components can be assembled either to the right hand or left hand sides.



ALL TERRAIN KIT

Larger diameter, heavy duty, towable wheels along with Jack Stands at each corner allow units with this accessory added to operate off the hard stand. With a level bubble on each corner, it's easy to get the unit level and firm even if the ground is uneven.







G20 Configurations

Own the high ground!

	Product Code	Product Description
	840120	Giraffe G20 Engineers Maintenance Stair
	840121	Giraffe G20 Engineers Maintenance Stair w Slide Out Deck
	840122	Giraffe G20 Engineers Maintenance Stair w Hammerhead Deck
	840123	Giraffe G20 Engineers Maintenance Stair w Angled Deck

G20 Configurations cntd





Own the high ground!

	Product Code	Product Description
	840124	Giraffe G20 + 1 Step Engineers Maintenance Stair
	840125	Giraffe G20 + 1 Step Engineers Maintenance Stair w Slide Out Deck
	840126	Giraffe G20 + 1 Step Engineers Maintenance Stair w Hammerhead Deck
	840127	Giraffe G20 + 1 Step Engineers Maintenance Stair w Angled Deck





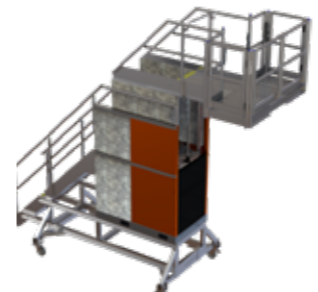

G20 Configurations cntd

Own the high ground!

	Product Code	Product Description
	840128	Giraffe G20 + 2 Step Engineers Maintenance Stair
	840129	Giraffe G20 + 2 Step Engineers Maintenance Stair w Slide Out Deck
	840130	Giraffe G20 + 2 Step Engineers Maintenance Stair w Hammerhead Deck
	840131	Giraffe G20 + 2 Step Engineers Maintenance Stair w Angled Deck

G20 Configurations cntd


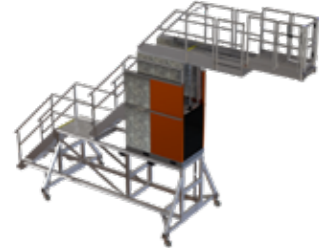
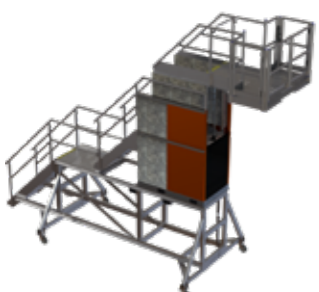
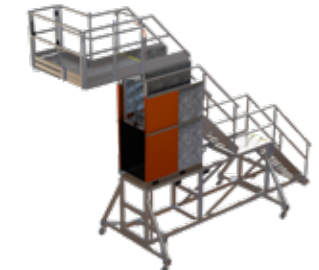
Own the high ground!

	Product Code	Product Description
	840132	Giraffe G20 + 4 Step Engineers Maintenance Stair
	840133	Giraffe G20 + 4 Step Engineers Maintenance Stair w Slide Out Deck
	840134	Giraffe G20 + 4 Step Engineers Maintenance Stair w Hammerhead Deck
	840135	Giraffe G20 + 4 Step Engineers Maintenance Stair w Angled Deck



G20 Configurations cntd

Own the high ground!

	Product Code	Product Description
	840136	Giraffe G20 + 8 Step Engineers Maintenance Stair
	840137	Giraffe G20 + 8 Step Engineers Maintenance Stair w Slide Out Deck
	840138	Giraffe G20 + 8 Step Engineers Maintenance Stair w Hammerhead Deck
	840139	Giraffe G20 + 8 Step Engineers Maintenance Stair w Angled Deck

G20 Configurations cntd





Own the high ground!

	Product Code	Product Description
	840140	Giraffe G20 All Terrain Engineers Maintenance Stair
	840141	Giraffe G20 All Terrain Engineers Maintenance Stair w Slide Out Deck
	840142	Giraffe G20 All Terrain Engineers Maintenance Stair w Hammerhead Deck
	840144	Giraffe G20 All Terrain + 1 Step Engineers Maintenance Stair







G20 Configurations cntd

Own the high ground!

	Product Code	Product Description
	840145	Giraffe G20 All Terrain + 1 Step Engineers Maintenance Stair w Slide Out Deck
	840146	Giraffe G20 All Terrain + 1 Step Engineers Maintenance Stair w Hammerhead Deck
	840148	Giraffe G20 All Terrain + 2 Step Engineers Maintenance Stair
	840149	Giraffe G20 All Terrain + 2 Step Engineers Maintenance Stair w Slide Out Deck

G20 Configurations cntd

Own the high ground!

	Product Code	Product Description
	840150	Giraffe G20 All Terrain + 2 Step Engineers Maintenance Stair w Hammerhead Deck
	840152	Giraffe G20 All Terrain + 4 Step Engineers Maintenance Stair
	840153	Giraffe G20 All Terrain + 4 Step Engineers Maintenance Stair w Slide Out Deck
	840154	Giraffe G20 All Terrain + 4 Step Engineers Maintenance Stair w Hammerhead Deck



G20 Configurations cntd

Own the high ground!

	Product Code	Product Description
	840156	Giraffe G20 All Terrain + 8 Step Engineers Maintenance Stair
	840157	Giraffe G20 All Terrain + 8 Step Engineers Maintenance Stair w Slide Out Deck
	840158	Giraffe G20 All Terrain + 8 Step Engineers Maintenance Stair w Hammerhead Deck

G20 In Action

Own the high ground!



G20 In Action

Own the high ground!



www.equiptec.co

+64 6 842 0222

G20 In Action

Own the high ground!



www.equiptec.co

+64 6 842 0222



**Manufacturers of Giraffe, Monkey
and Squirrel AHP**

www.equiptec.co
Ph: +64 6 842 0222

